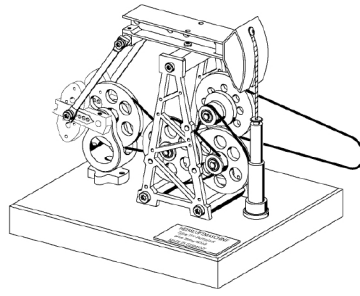
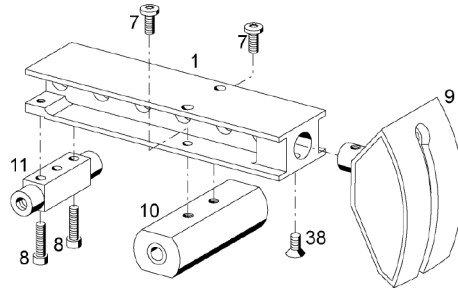
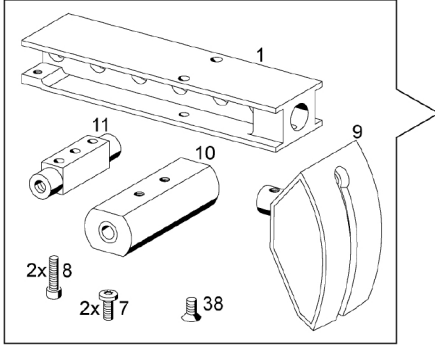


# SE- TP1

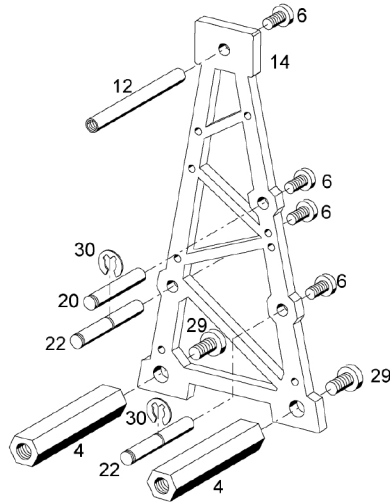
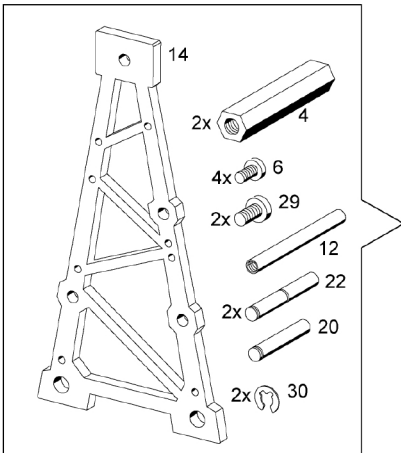
## Texas Pumpjack



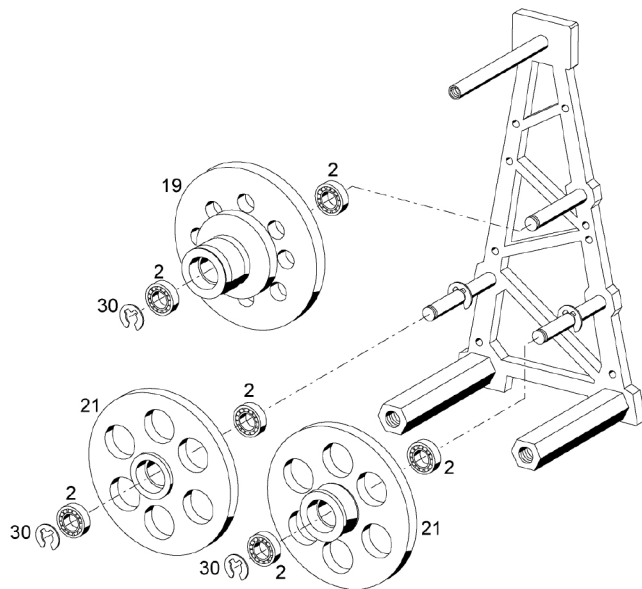
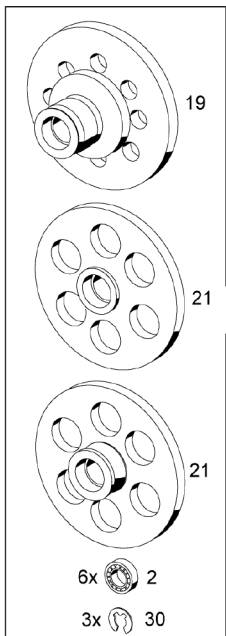
1



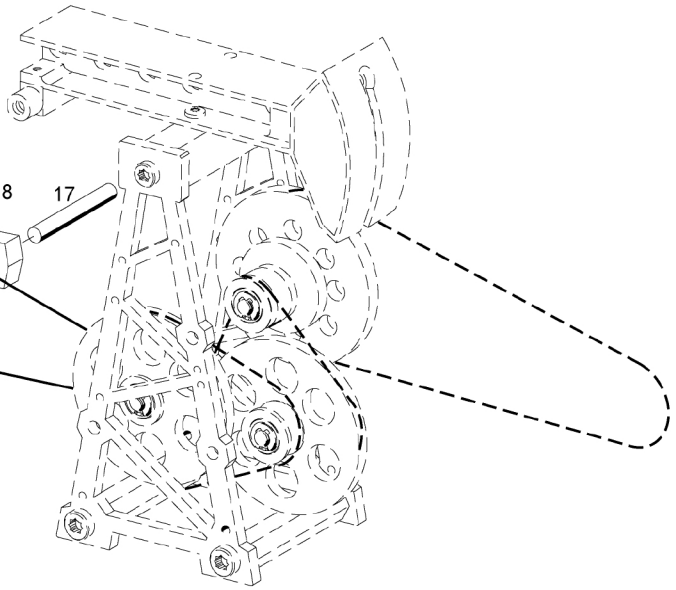
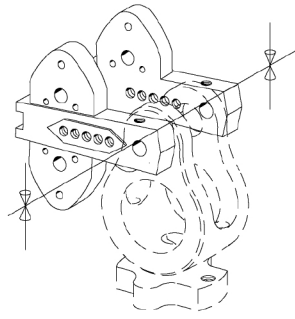
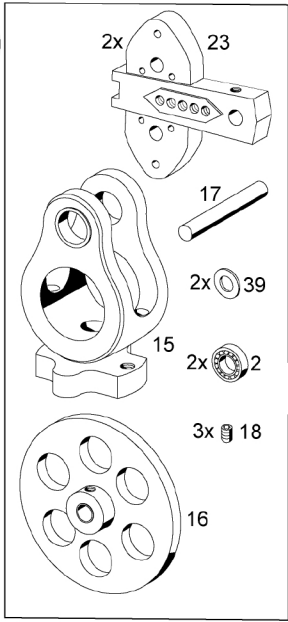
2



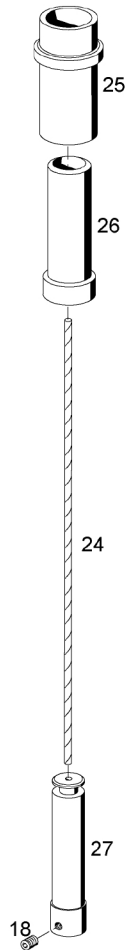
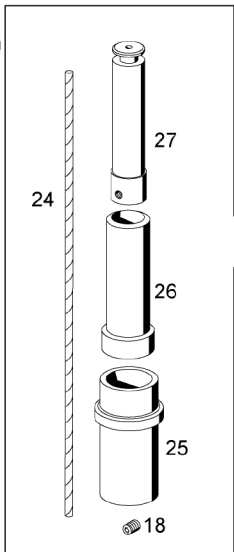
3



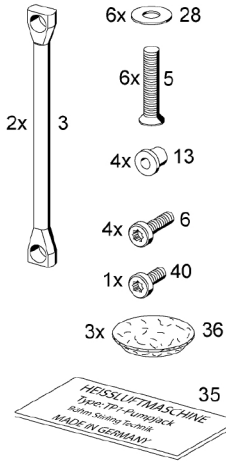
6



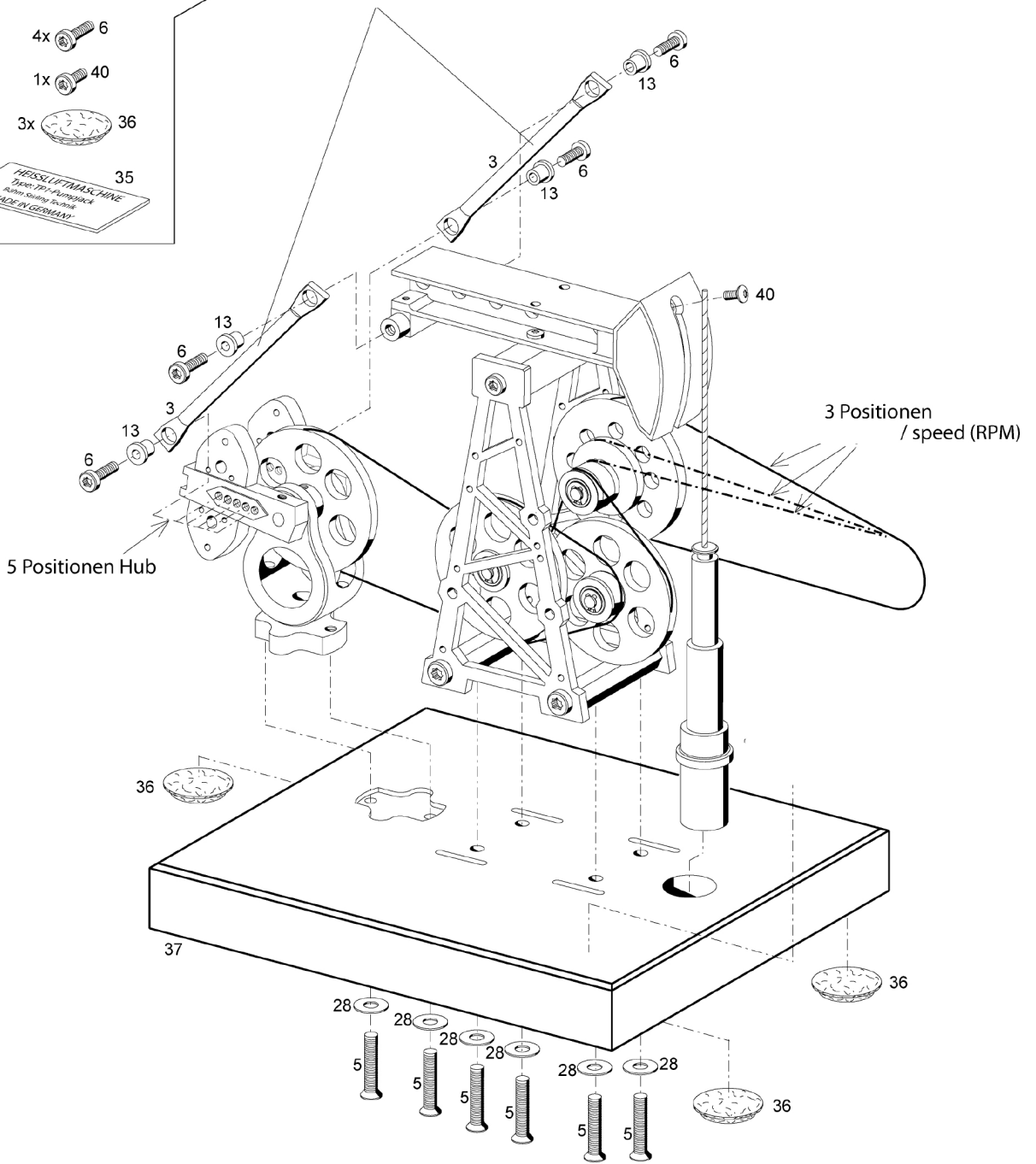
7



8



! The connecting rod brass (3) to be light edgewise sliding (must not clamp) before opposit weight in same position mounting (picture 6).



| III. No. | Part No.                | Diment. Remarks | Pieces | Denomination                 |
|----------|-------------------------|-----------------|--------|------------------------------|
| 1        | Brücke                  |                 | 1      | Bridge                       |
| 2        | Kugellager              | Ø 9x2,5mm       | 8      | Ball bearing                 |
| 3        | Pleuel Messing          | 64x3mm          | 2      | Connecting rod brass         |
| 4        | Sechskantbolzen         | 30mm            | 2      | Hex distanz piece            |
| 5        | Torx Senkschraube       | M4x20, TX20     | 6      | Torx counter-sunk screw      |
| 6        | Torx Linsenkopfschraube | M3x8, TX10      | 9      | Torx oval-head screw         |
| 7        | Torx Linsenkopfschraube | M3x4, TX10      | 2      | Torx oval-head screw         |
| 8        | Zylinderschraube        | M2,5x10         | 2      | Cylinder screw               |
| 9        | Gegengewicht            |                 | 1      | Weighting                    |
| 10       | Lagerbock für Brücke    | 30mm            | 1      | Bearing chair bridge         |
| 11       | Lagerbock für Pleuel    |                 | 1      | Bearing chair connecting rod |
| 12       | Achse für Lagerbock     | Ø 4x30mm        | 1      | Shaft                        |
| 13       | Schwarze Büchse         | Ø 6,7x4,6mm     | 4      | Black bushing                |
| 14       | Seitenteile             |                 | 2      | Sideframe                    |
| 15       | Lagerbock Messing       | 22,8x53mm       | 1      | Bearing chair brass          |
| 16       | Kraftrad Lagerbock      | Ø 39,5x7,9mm    | 1      | Powerpulley                  |
| 17       | Achse Lagerbock         | Ø 4x23,5mm      | 1      | Powerpulley shaft            |
| 18       | Madenschraube           | M3x3mm, SW1,5   | 4      | Grub screw                   |
| 19       | Laufrad 1               | Ø 39,5x14,5mm   | 1      | Drivepulley 1                |
| 20       | Achse Laufrad 1         | Ø 4x16,6        | 1      | Drivepulley shaft 1          |
| 21       | Laufrad 2               | Ø 39,5x8mm      | 2      | Drivepulley 2                |
| 22       | Achse Laufrad 2         | Ø 4x20,7        | 2      | Drivepulley shaft 2          |
| 23       | Wange                   | 41,6x5,1mm      | 2      | Opposit weight               |
| 24       | Stahl-Seil              | Ø 1x122mm       | 1      | Steel robe                   |
| 25       | Kolbensitz Messing      | Ø 19x35,2mm     | 1      | Pistonbase brass             |
| 26       | Kolben 1 Messing        | Ø 13,9x39,3mm   | 1      | Piston 1 brass               |
| 27       | Kolben 2 Messing        | Ø 9,8x43,6mm    | 1      | Piston 2 brass               |
| 28       | Beilegscheibe           | Ø 11,7x1,5mm    | 6      | Washer                       |
| 29       | Torx Linsenkopfschraube | M4x6mm, TX20    | 4      | Torx Oval head screw         |
| 30       | Sicherungsring          | Ø 6,8x0,6mm     | 5      | Holding ring                 |
| 31       | Antriebsriemen          | Ø 165x1,5mm     | 1      | Main drive rubber            |
| 32       | Riemen 1                | Ø 43x1,5mm      | 1      | Rubber 1                     |
| 33       | Riemen 2                | Ø 45,7x1,5mm    | 2      | Rubber 2                     |
| 35       | Typenschild             | 48x20mm         | 1      | Typ-sign                     |
| 36       | GummifüÙe               | Ø 19x3mm        | 3      | Ground rubber                |
| 37       | Bodenplatte             | 158x108x22mm    | 1      | Base                         |
| 38       | Torx Senkschraube       | M3x6            | 1      | Torx Counter-sunk screw      |
| 39       | Passscheibe             | Ø 8x0,2mm       | 2      | Washer                       |
| 40       | Torx Linsenkopfschraube | M3x6, TX10      | 1      | Torx oval-head screw         |

WE-Set1 not do part shipment,  
tool can special tilled shall at Webshop.

WE-Set1  
Tool-Set1  
composed of:  
 ↑ Allen key 2,5mm  
 Allen key 1,5mm  
 Torx 20  
 Torx 10  
 Torx 8  
 Torx 6  
 Drive punch  
 Holder plate

When mounted is there a long as possible  
parallel pliers needful.

